

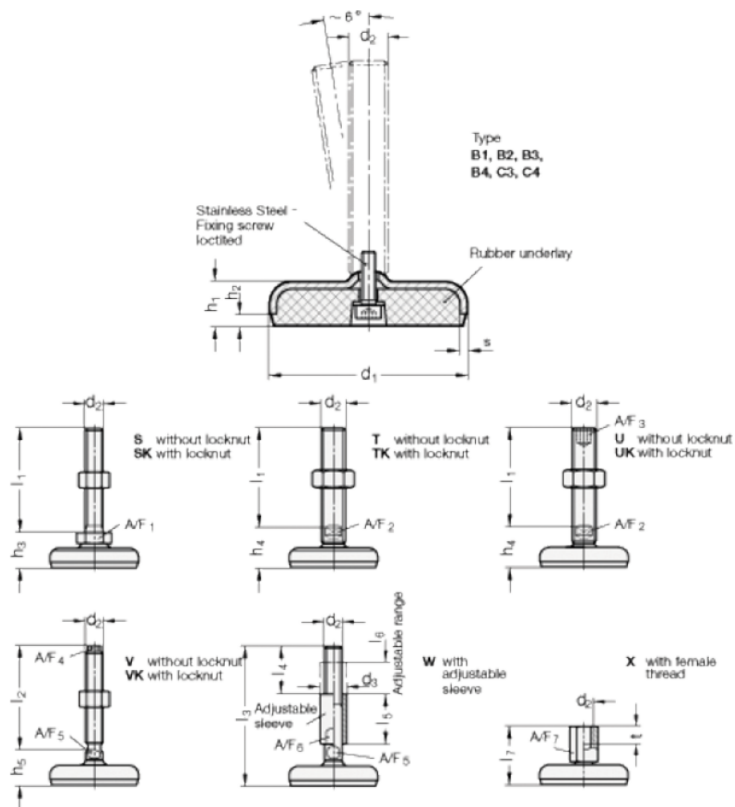
Article number: 203160M1675C3V

Description: E+G levelling foot

GN 31-60-M16-75-C3-V

Note: V Without nut, External hexagon at the top, Wrench flat at the bottom

Measures



A/F4 = 10 | s = 3

A/F5 = 12

d1 = 60

d2 = 16

h1 = 16

h2 = 4

h5 +4.0/0 = 27

l2 = 75